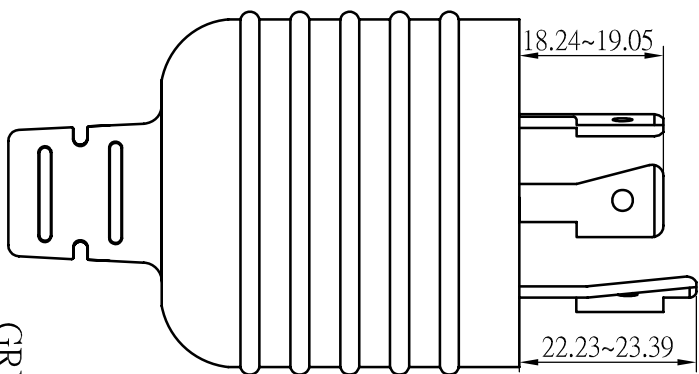
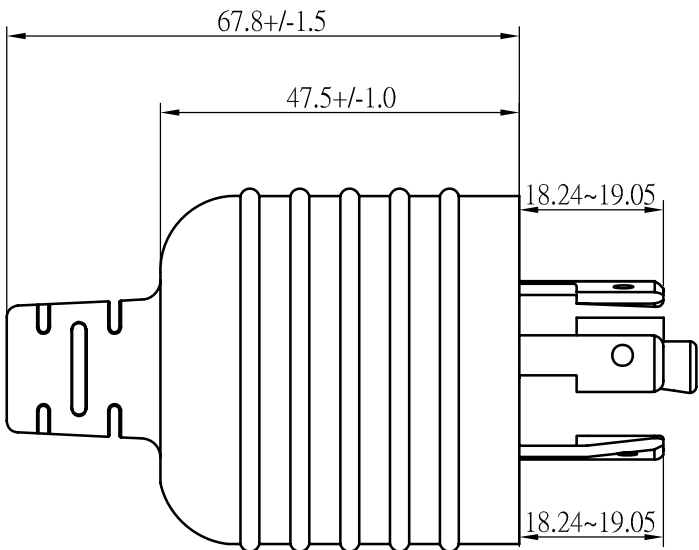


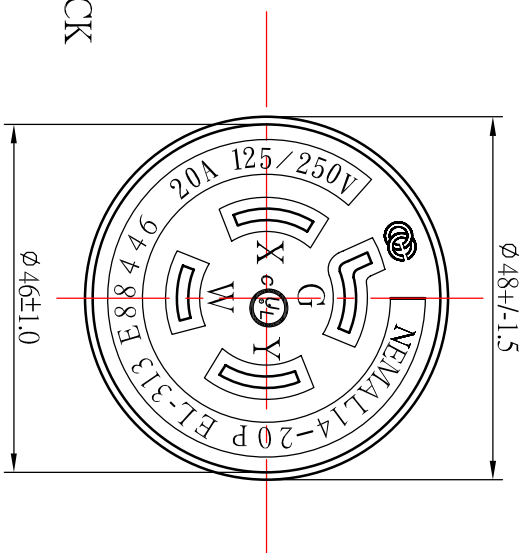
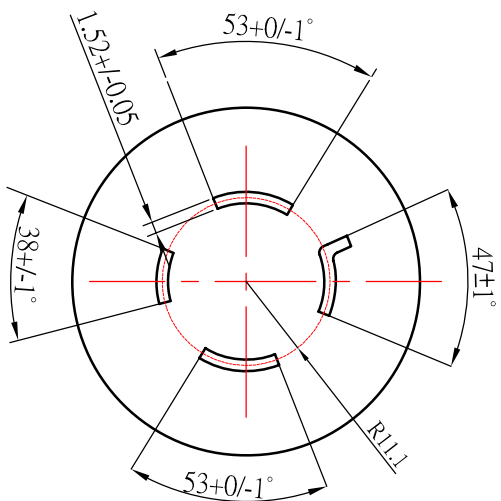
DRAW NO.

RD05P0096-6

工程圖 (二)



GREEN — G
RED — X
WHITE — W
Y — BLACK



TUMBLER CORPORATION dba Ching Cheng Wire Material	
NAME	EL-313 (NEMA L14-20P)
SCALE	1:1
UNIT	MM
DATE	2008.07.16
APPROVED BY	左茂超
CHECK BY	王啓芳
REVISION	
DATE	
ITEM	