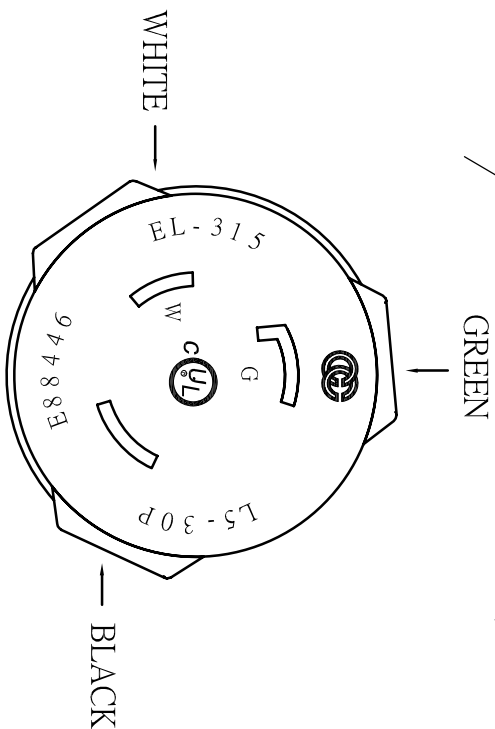
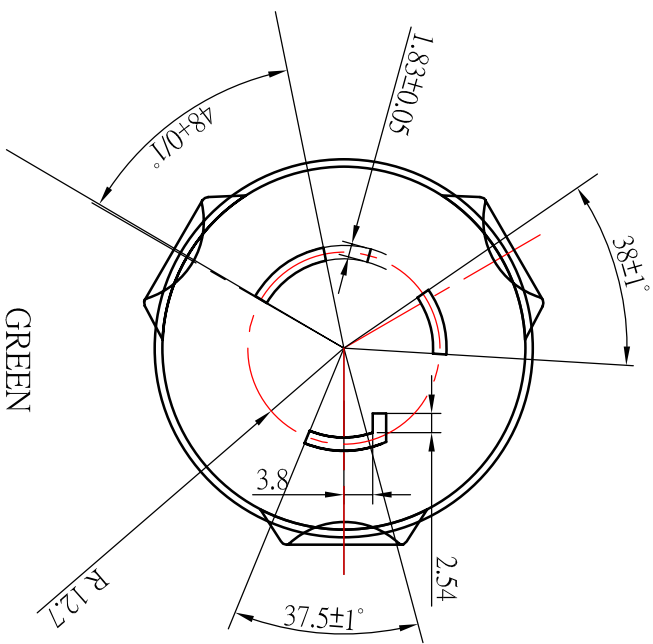
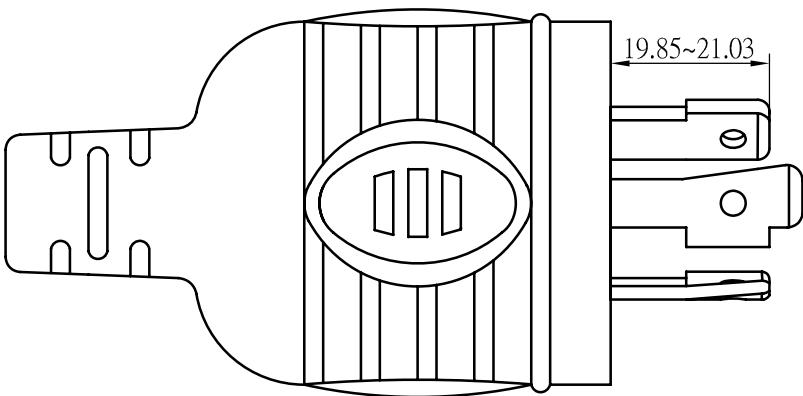
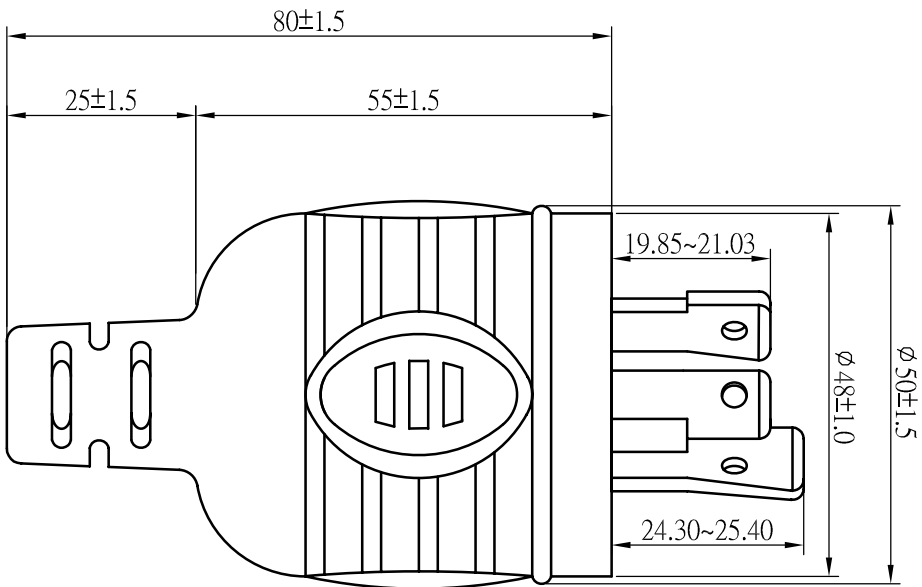


DRAWING NO.

RD05P0096-6

工程圖(二)



CHING CHENG WIRE MATERIAL CO.,LTD	
NAME	EL-315 (NEMA L5-30P)
SCALE	1:1
UNIT	MM
DATE	2008.04.02
APPROVED BY	左茂超
DRAWING BY	王啓芳
CHECK BY	
REVISION	
DATE	
ITEM	