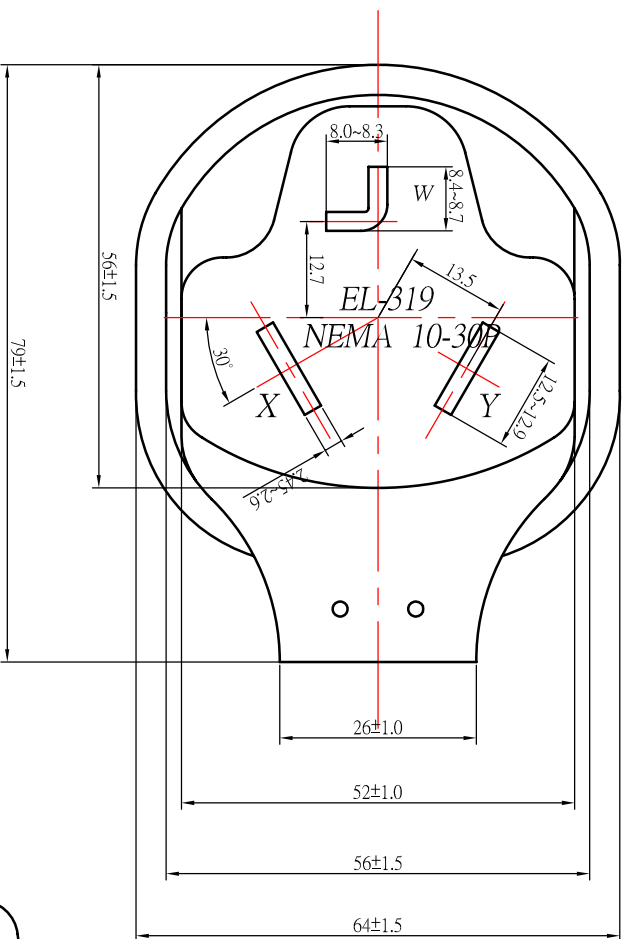


工程圖 (二)



GREEN

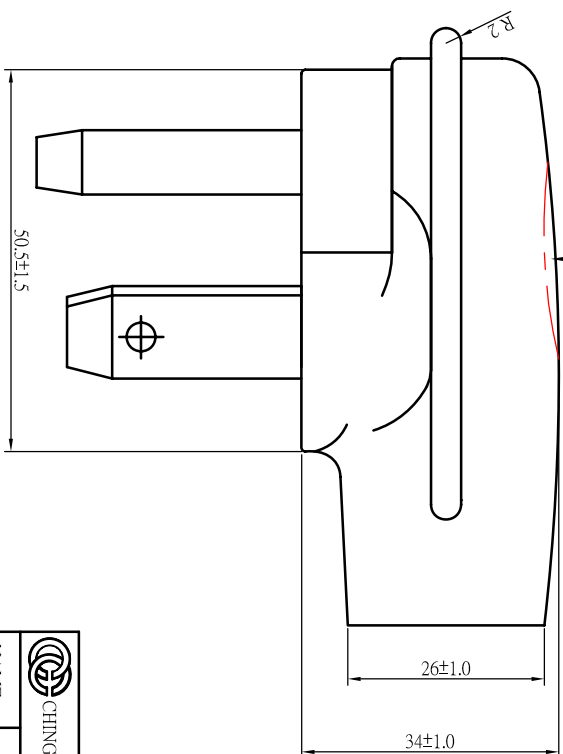
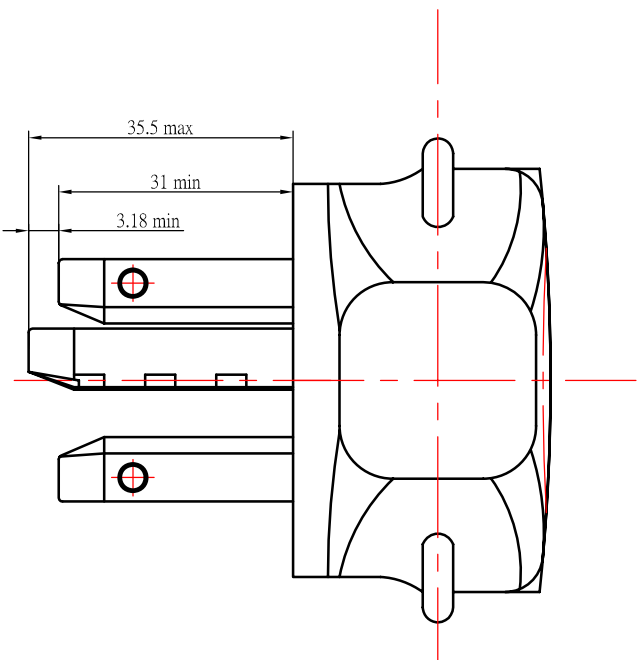
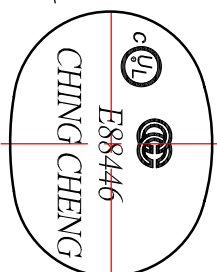
Y

WHITE — W

BLACK

X

LETTERING



ITEM	REVISION	DATE

		CHING CHENG WIRE MATERIAL CO., LTD	
NAME	EL-319 (NEMA 10-30P)	REV NO.	1.0
SCALE	1:1	DATE	2008.04.02
UNIT	MM	DRAWING BY	王啓芳
APPROVED BY	左茂超	CHECK BY	